

## Vehicle Master Controller (VMC30)



## Vehicle Master Controller (VMC30-EHC)



## General Purpose Vehicle Master Controller

### Description

The Kollmorgen Vehicle Master Controller (VMC) is a new generation general purpose controller for electrical systems that uses CAN for communication. With its extensive I/O possibilities and flexibility it is uniquely suited to manage the system requirements of both simple and complex architectures. The VMC module is designed for use with the Kollmorgen family of AC drive and motor products.

### Features

The VMC controller family is offered with an easy to use Software Developers Kit (SDK) for fast and reliable application programming. Firmware is provided with the core functions to assist with the application programming of electric or hybrid-electric vehicles.

- Easy to integrate CANopen communication
- Designed for the harsh mobile environment (IP65)
- Flexible I/O to accommodate a wide spectrum of vehicle sensors and actuators
- PWM outputs provide adjustable pull-in and holding current levels to save energy
- Ten power outputs with precise current feedback to control proportional hydraulic valves
- Freewheeling diodes, overload protection, short circuit protection, and open load protection
- Wide operating voltage from 24 to 80 volts including over, under, and reverse voltage protection
- Integrated USB slave port for direct connection to a computer
- Real-time clock with a super capacitor backup
- Option for integral wireless communication for service and/or fleet management



## Order Information

VMC30 (2 AMPSEAL, USB, RTC)	83F03101A
VMC30-EHC (3 AMPSEAL, USB, RTC)	83F03102A
Connector kit VMC30 (black and white AMPSEAL 2x23 pin)	19N432A
Connector kit VMC30-EHC (blue AMPSEAL 1x23 pin)	19N433A

## Technical Data

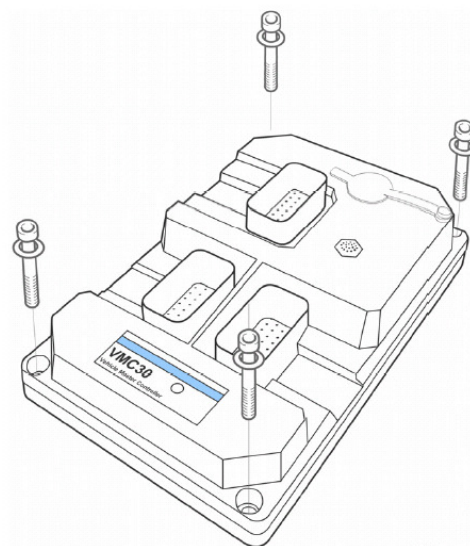
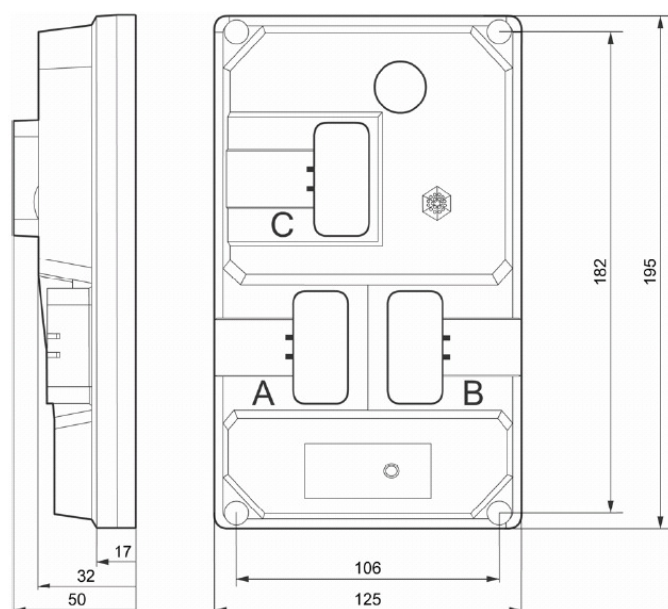
Supply voltage, nominal	24 to 80 V
Supply voltage, min/max	16.8/104 V
Power consumption	Max 6 W
Communication	1 CAN, galvanic isolation.
Reversed polarity	The unit can withstand reversed polarity at 1.2 x nominal supply voltage.
IO	Sensor supply, 12 (14) digital inputs, 16 power outputs, 11 (19) analog inputs, 10 current controlled power outputs (EHC version).
Connector	2(3) x AMP Seal 23-pin, USB type B.
Processor	Atmel ARM7.
Memory	256KB Flash, 32kB SRAM, 4KB EEPROM, 128 KB Data Flash.

## Ambient Condition

Temperature, operation	-40 to +55°C
Temperature, storage	-40 to +70°C
Relative humidity, operation	Max 95%, non-condensing.
Relative humidity, storage	Max 95%
Protection class	IP65

## Dimensions

Width x Height x Depth	125 x 50 x 195 mm.
Weight:	0.75 Kg.



(82000-517)

(10100-610)