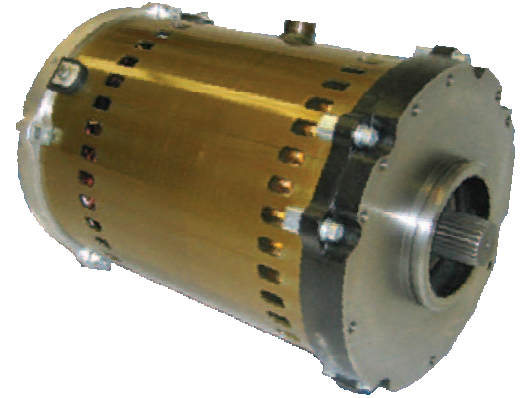


**TSP Series**



**Smooth  
Cost-effective  
Electric  
Power**

**TSW Series**



**Mobile Propulsion Torques up to 800 Nm**

**Description**

Kollmorgen motors are efficient, durable and virtually maintenance free resulting in competitive system lifetime costs. The TSP and TSW motors are designed and developed to optimize efficiency and performance when operating together with the Kollmorgen family of AC Drives. AC motors are brushless and therefore almost maintenance free. They require no access for maintenance allowing for a compact system design.

**Features**

The motor program covers a broad range of torque meeting individual customers needs. The motor can be made to meet voltages ranging from 24 to 80 volts. Motor design can be open (TSP series) or closeable (TSW series).

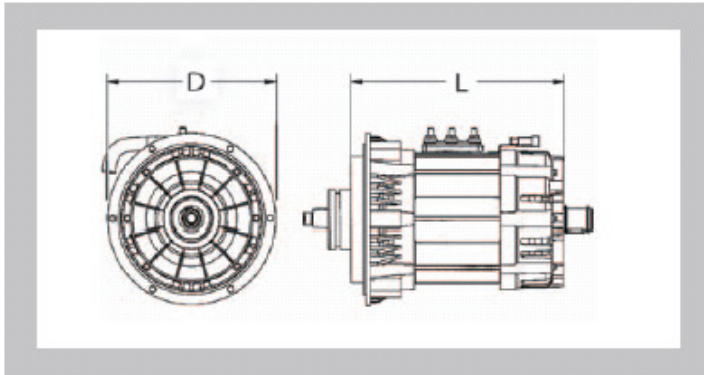
The AC induction machine consists of fewer parts than a DC machine and is hence robust. The motor is almost maintenance free with no brush gear to maintain. Additionally, the cost of permanent magnets is avoided. The Kollmorgen AC control system is an inherent true 4 quadrant system.

The Kollmorgen AC motors have a built in thermal sensor for monitoring motor temperature and are normally supplied with a 2-channel speed sensor.



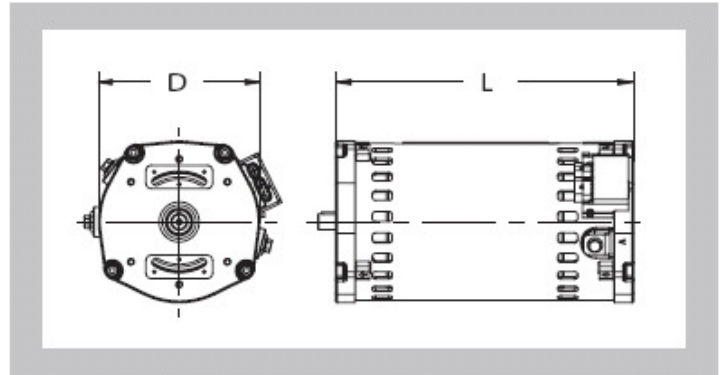
## TSP Series

Traction motor



## TSW Series

Pump motor



### Typical values

Motor	rpm	S1		S2 60min		S3 15%		Max Nm
		Nm	kW	Nm	kW	Nm	kW	
112/4- 90	1430	11	1,7	19	2,8	34	5,1	53
112/4-130	1430	17	2,5	27	4,0	49	7,3	76
112/4-150	1430	19	2,9	31	4,6	56	8,4	88
112/4-165	1430	21	3,2	34	5,1	62	9,3	97
112/4-195	1430	25	3,7	40	6,0	74	11,0	115
132/4-135	1440	25	3,8	41	6,2	75	11,3	118
132/4-180	1440	35	5,3	56	8,5	103	15,5	162
132/4-195	1440	38	5,7	61	9,2	111	16,8	176
160/4-180	1450	45	6,8	73	11,0	132	20,0	210
160/4-230	1450	57	8,7	92	14,0	169	25,6	267
160/4-250	1450	61	9,3	99	15,0	180	27,3	286
180/4-120	1460	85	13,0	119	18,2	238	36,4	189
180/4-140	1460	90	13,8	126	19,3	252	38,5	220
180/4-180	1470	100	15,4	140	21,6	280	43,1	283
180/4-200	1470	111	17,1	155	23,9	311	47,8	314
180/6-200	970	130	13,2	182	18,5	364	37,0	450
180/6-360	970	180	18,3	252	25,6	504	51,2	810

Type	Frame size	Pole	Lamstack	Motor Dimensions	
				L [mm]	OD [mm]
TSP	112	4	130	280	200
TSP	132	4	180	324	240
TSP	160	4	250	427	260
TSP	180	4	180	330	270
TSW	112	4	195	360	188
TSW	132	4	180	366	225
TSW	160	4	250	467	243
TSW	180	4 or 6	200	410	278
Example TSP 112/4-165				<b>315</b>	<b>200</b>

<b>Standard design</b>	TSP or TSW IP 20 protection Class F insulation IC 01 cooling
<b>Standards</b>	EN-1175 UL 583

